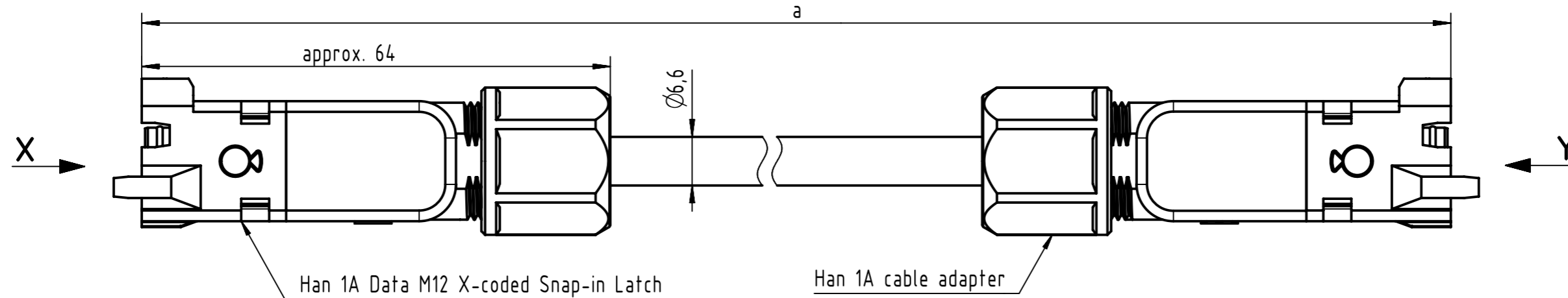


Connector Location A

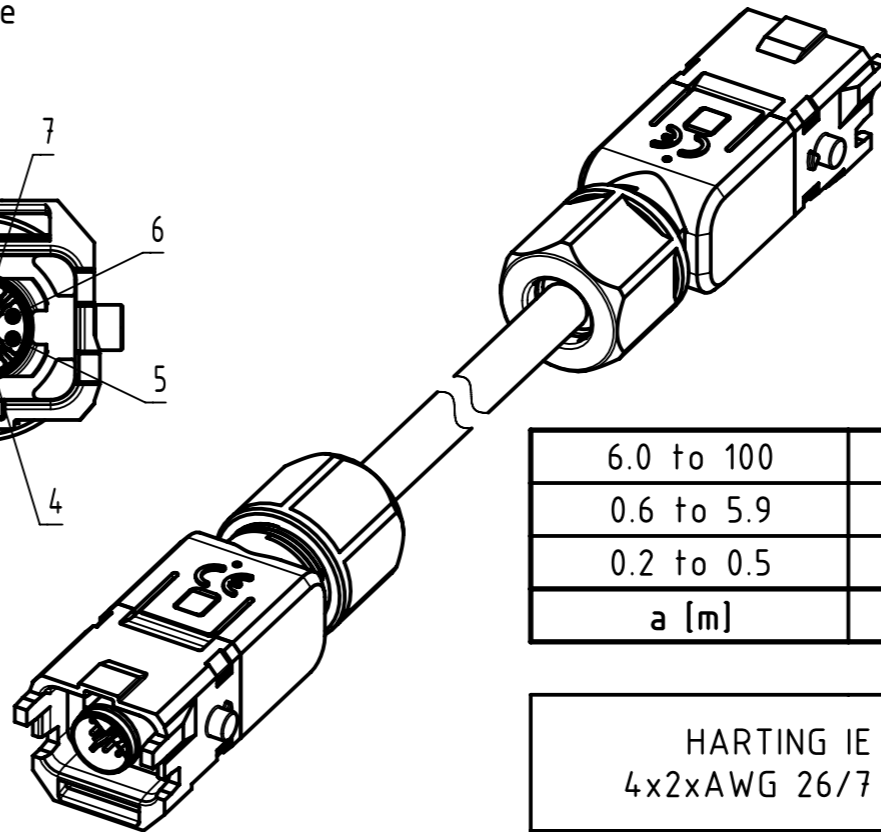
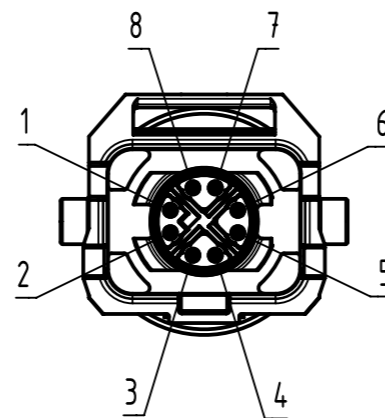
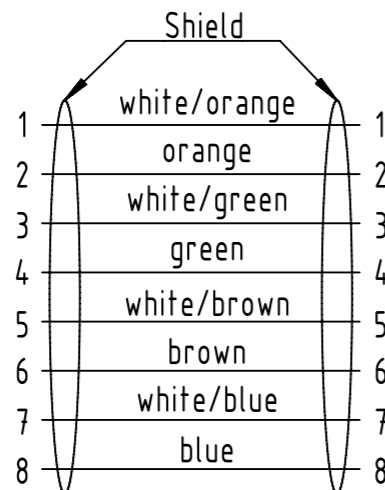
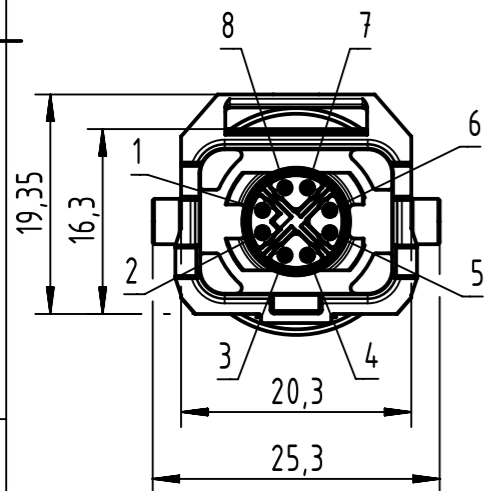
Connector Location B



X
male

Loading Plan
acc. to TIA/EIA 568B

Y
male



6.0 to 100	±1%
0.6 to 5.9	+0.04
0.2 to 0.5	+0.02
a [m]	Tolerance

length in "1m" step	100	XXX=000
	99	XXX=990
	12	XXX=120
	11	XXX=110
length in "0.1m" step	10	XXX=100
	9.9	XXX=099
	9.8	XXX=098
	0.5	XXX=005
	0.4	XXX=004
	0.3	XXX=003
	0.2	XXX=002
Step	a [m]	XXX

HARTING IE Cat.6A 4x2xAWG 26/7 PVC yellow	33505252808XXX
Type of cable	Part no.

NOTE:
 * Gold plated contacts
 * Cat.6A 10 Gbit/s Ethernet transmission possible for lengths up to 45m
 - Protection level: IP65
 - Temperature range: -20°C ... +80°C

All rights reserved Department HCS - RO HARTING Customised Solutions D-32339 Espelkamp	All Dimensions in mm Tech. Character. Free size tol. According to production drawing	Created by BANIUD Banciu Title Han 1A CA M12-X-cod. +latch m/m PVC	Inspected by COSTEA Costea Title TB	Standardisation MUNTEANV Muntean Date 2022-05-23	State Final Release	Doc-Key / ECM-Nr. 101005173/UGD/000/A 500000218000
	Type TB	Number 33505252808XXX	Rev. A	Page 1/1		